

Drive: Manual
Release: Individual and/or Gang
Security Level: Medium

KR.3 SLIDING DOOR LOCKING DEVICE

Description

Type KR.3 devices are medium security, sliding cell door locking devices for use with doors not exceeding 300 pounds.

Applications

KR.3 devices are applicable to any multiple cell or inmate room door situation requiring selective, remote, electrical unlocking and manual movement of the door either open or closed.

Functions

Unit unlocks selected individual doors from a remote push button. A door starter then opens the door(s) a few inches.

Doors opened or closed manually automatically snaplock and deadlock.

In event of emergency or power failure, gang unlocking is accomplished in a remote, mechanical release cabinet. Doors are then opened the remainder of the way by hand.

Locking System

Upon closure, each door automatically deadlocks at two concealed points at the top and bottom rear edge of the door. Upon opening, each door automatically deadlocks open at the front edge of the door. Locking components are not exposed or subject to tampering. Components do not project into the door opening.



Testing

Type KR Series have been in service since 1962, and has been tested to 500,000 cycles.

Standard Features

- **Motor voltage** – 120 VAC.
- **Plug-type connectors** – Simplified wire harness installation.
- **Individual motor unlocking** – Each door is unlocked by its own motor.

For more information, please call 210.533.1231.

Drive:	Manual
Release:	Individual and/or Gang
Security Level:	Medium

KR.3 SLIDING DOOR LOCKING DEVICE

- **Heavy duty construction** – KR.3 devices are ruggedly built for a range of detention environments.
- **Tamper-resistance** – All openings in housings are baffled to resist inmate tampering.
- **Selective unlocking** – Each door may be unlocked by an individual control switch, group-unlocked with an all-door switch, or individually released through a port.
- **Sloped-top housing** – Resists hiding of contraband.
Flat-top housing is provided where the device must install close to the ceiling.
- **Hinge cover** – Allows maintenance without lifting heavy covers off the device.
- **Automatic deadlocking** – When fully closed or open, independent top and bottom locking points on the rear of each door automatically deadlock.
- **Indication switch** – Monitors the deadlocked condition of both locking points and mid-travel.
- **Two point locking mechanical release cabinet** – A three-position lever handle or crank handle is provided.
Lever provides:
 1. Electric operation – Door control from a remote location.
 2. Release ports open – Opening of individual release ports. Doors to be individually released at the door with a removable handle. Covers are also individually released from the port.

3. Emergency unlock – Gang release of all doors in event of emergency or power failure.

- **Full length wire tray** – Simplifies routing of electrical wire/harnesses. Runs the full length of the housing.
- **Locked open feature** – Permits doors to be held open and immovable.

Optional Features _____

- **Motor voltage** – 24 VDC.
- **Mechanical release column** – A release column containing a No. 82 Deadlock may be added to provide local mechanical locking and unlocking by paracentric prison key.
- **Two-position motor (MC)** – Unlocks the door by an electric switch. Once unlocked, the mechanism remains in the unlocked position until electrically selected to relock. The door may then be deadlocked in either the open or closed position.
- **Key switch** – An electric key switch may be added to the above column for local electric control.
- **Inmate control feature** – Release columns may be equipped with an inmate push button on the cell side, and a key cylinder on the outside. Inmates may exit by pressing the push button, and reenter using a key. Feature may be canceled at a remote console or other control point.

- **Electrical/mechanical control cabinet** – Electrical switches may be ordered to provide control of each door in addition to mechanical function. These switches may be built into the mechanical release cabinet, or located remotely as needs dictate.
 1. Individual Push Button Unlocking.
 2. Group Switch – Provides group unlocking.
 3. Power Cut-off Switch – Cuts electric current to controls.

Indication lamps may be installed in conjunction with switches to show deadlocked closed or open status of each door. When used, indication is as follows:

Red – Open or locked open.
Green – Deadlocked closed.
- **Custom graphic consoles** – In many cases, it may be desirable to separate electric controls from the mechanical cabinet located near the cells. For larger installations, or those with particular needs, custom-built consoles may be easily provided with floor plan graphics screened on the control panel, and an array of specialized features.
- **Cell line cable** – For applications using a series of locking devices, a cell line cable may be specified to interconnect terminal strips in the mechanical control/release cabinet to a plug connector at the door operating unit. Simplifies routing of wire, and saves installation cost and time.
- **G90 galvanized finish available.**



Drive: Manual
Release: Individual and/or Gang
Security Level: Medium

KR.3 SLIDING DOOR LOCKING DEVICE

Specifications

■ Unlocking system –

Type: Manual door movement.

Motor: 120 VAC, 60 HZ, or 24 VDC.

Hanger and guides: 1/4" thick steel.

Rollers: Cold formed steel. Rollers are mounted on hardened ball bearings protected by internal grease shields.
Finish: USP.

■ Mechanism housing/covers –

Housing: 7-gauge steel.

Housing covers: 10-gauge steel,

hinged to cover.

Vertical lock column housing: 7-gauge steel.

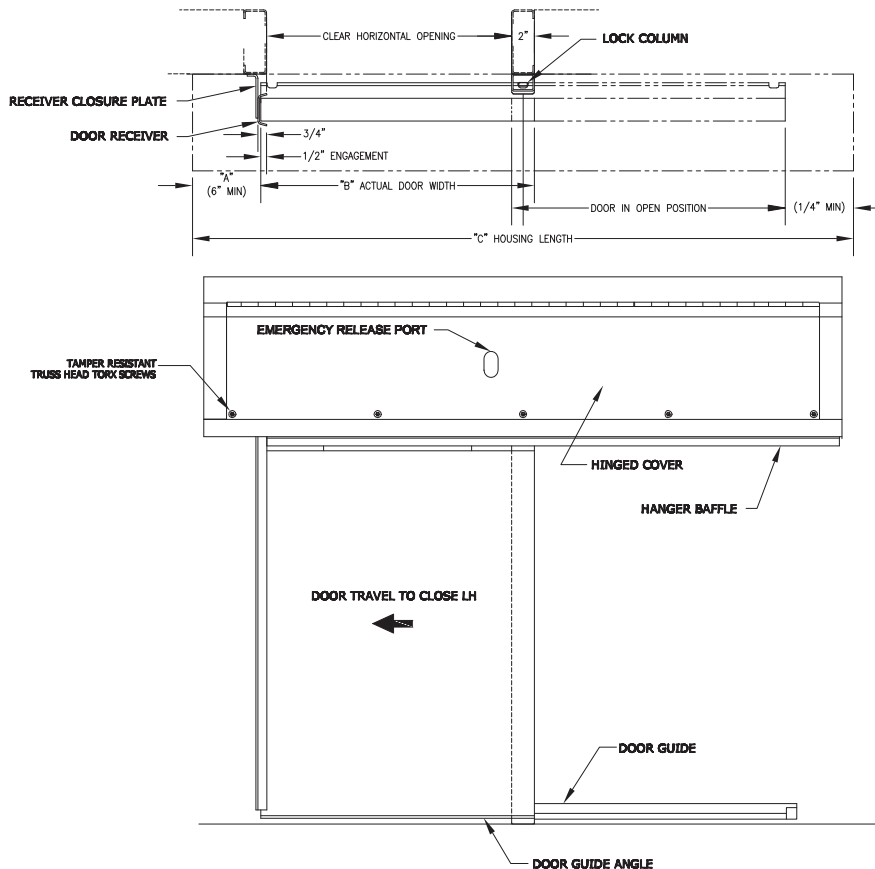
Mechanical release column (optional): 7-gauge steel.

Wire tray: 16-gauge steel tray.

Front receiver: 10-gauge steel.

Finish: USP.

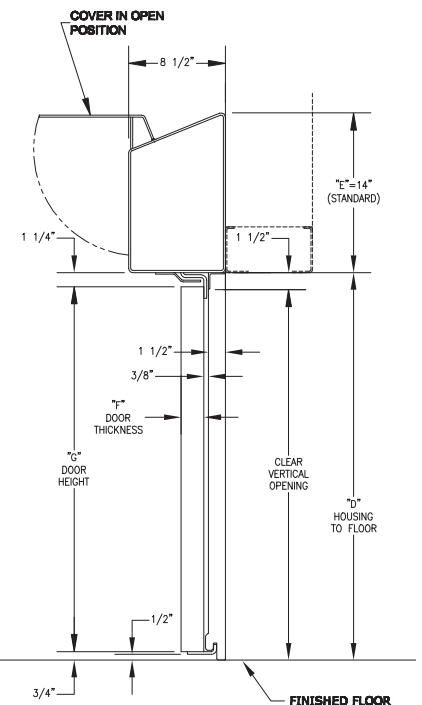
Typical KR.3 slope-top elevation.
 Left hand (LH) as shown.
 Right hand (RH) opposite as shown.



Dimensional Data

Note: Dimensions are for information and planning purposes only, and should not be used as templates.

The illustration shown is intended for general information and planning purposes only. Folger Adam locking devices are fabricated to the design of the facility.



For more information, please call 210.533.1231.

